

# RFIC Technologies

WIRELESS IC AND WIRELESS EMBEDDED SYSTEM

An Indian company who strongly supports  
DESIGN IN INDIA, MAKE IN INDIA

WIRELESS  
IC

[WWW.RFICDESIGN.COM](http://WWW.RFICDESIGN.COM)

IOT  
PRODUCTS

[WWW.GARUDSMS.COM](http://WWW.GARUDSMS.COM)

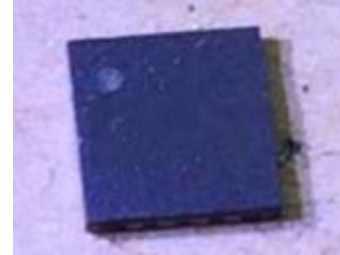
Suchitav Khadanga  
RFIC Technologies



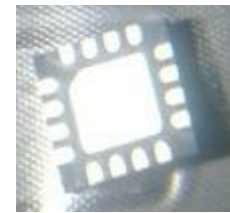
## RFIC PRODUCT

### RFF-1001: ZIGBEE FRONT END CHIP

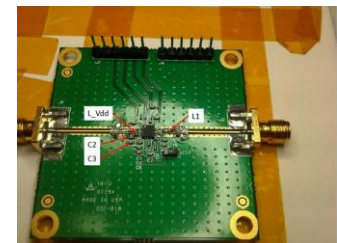
- ZIGBEE 2.4GHZ OPERATION
- QFN 16PIN 3X3 mm PACKAGE
- LNA SWITCH PA IN ONE CHIP
- CMOS RF PROCESS
- TRANSMITTER
  - GAIN: 25dB
  - POUT : 20dBm @130mA
- RECEIVER
  - GAIN : 15DB @6mA CURRENT
  - NOISE FIGURE : 2 dB



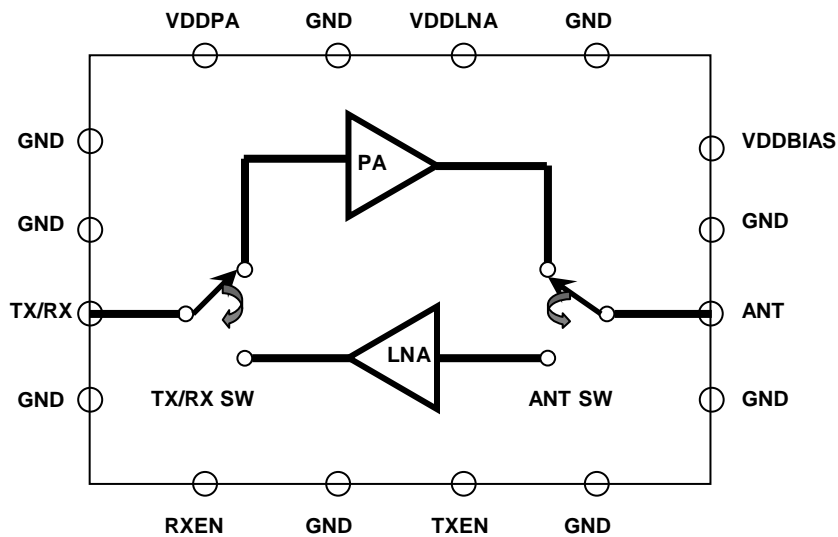
FRONT SIDE



BACK SIDE

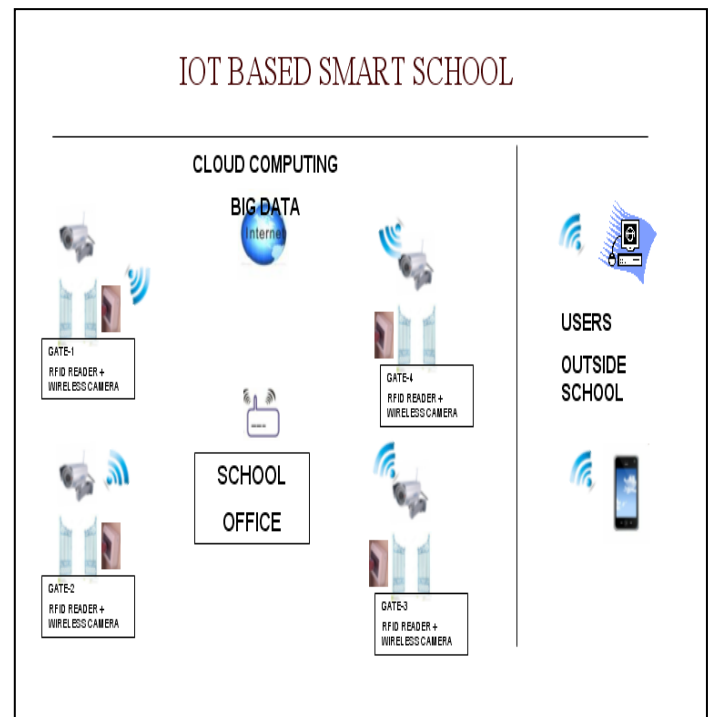
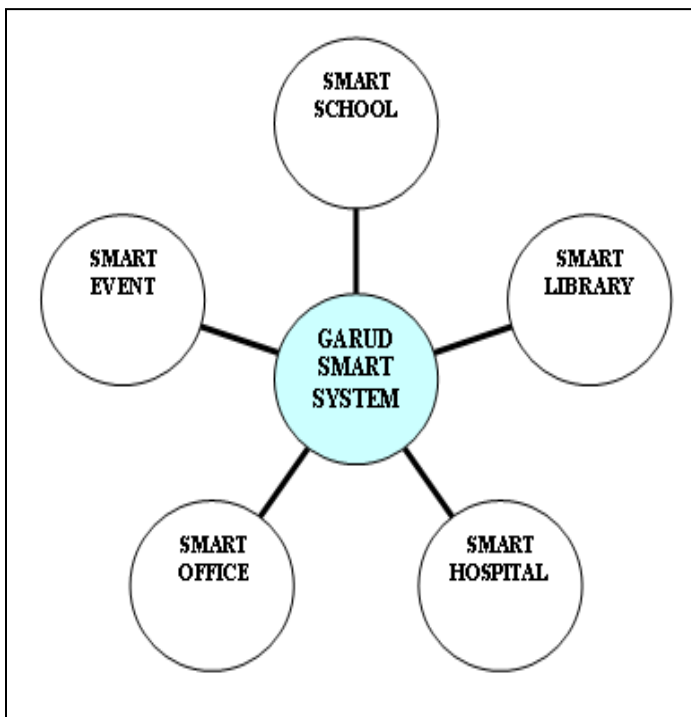


TEST-BOARD



## SMART IOT (INTERNET OF THINGS) PRODUCTS

- 50000 STUDENTS AND 60 SCHOOLS ARE USING SINCE DEC 2012
  - DOWNLOAD FROM OUR WEB [WWW.GARUDSMS.COM](http://WWW.GARUDSMS.COM)
- FREE MANAGEMENT SOFTWARE
  - DOWNLOAD FROM OUR WEB [WWW.GARUDSMS.COM](http://WWW.GARUDSMS.COM)
- RFID BASED PRODUCT
  - SHORT RANGE-10CM ,
  - MEDIUM RANGE- 2 METER ,
- EMAIL OR SMS NOTIFICATION ON ENTRY/EXIT
- WEB BASED PRODUCT



## **CONTACT ADDRESS**

**SUCHITAV KHADANGA**

RFIC TECHNOLOGIES

401, GREEN CASTLE,

ST JOHNS ROAD, ULSOOR

BANGALORE-560042

EMAIL : [suchitav@rficdesign.com](mailto:suchitav@rficdesign.com)

RFIC PRODUCTS [WWW.RFICDESIGN.COM](http://WWW.RFICDESIGN.COM)

IOT PRODUCTS [WWW.GARUDSMS.COM](http://WWW.GARUDSMS.COM)